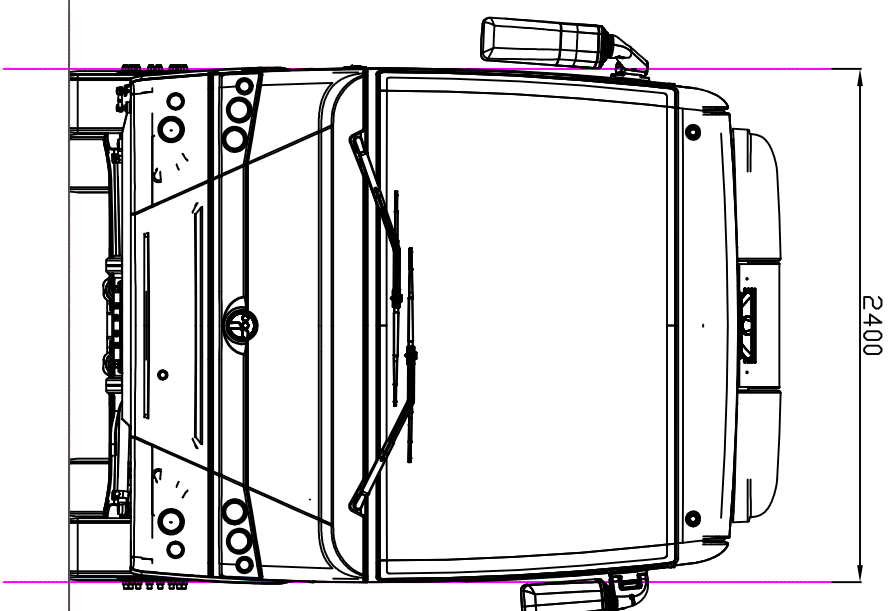
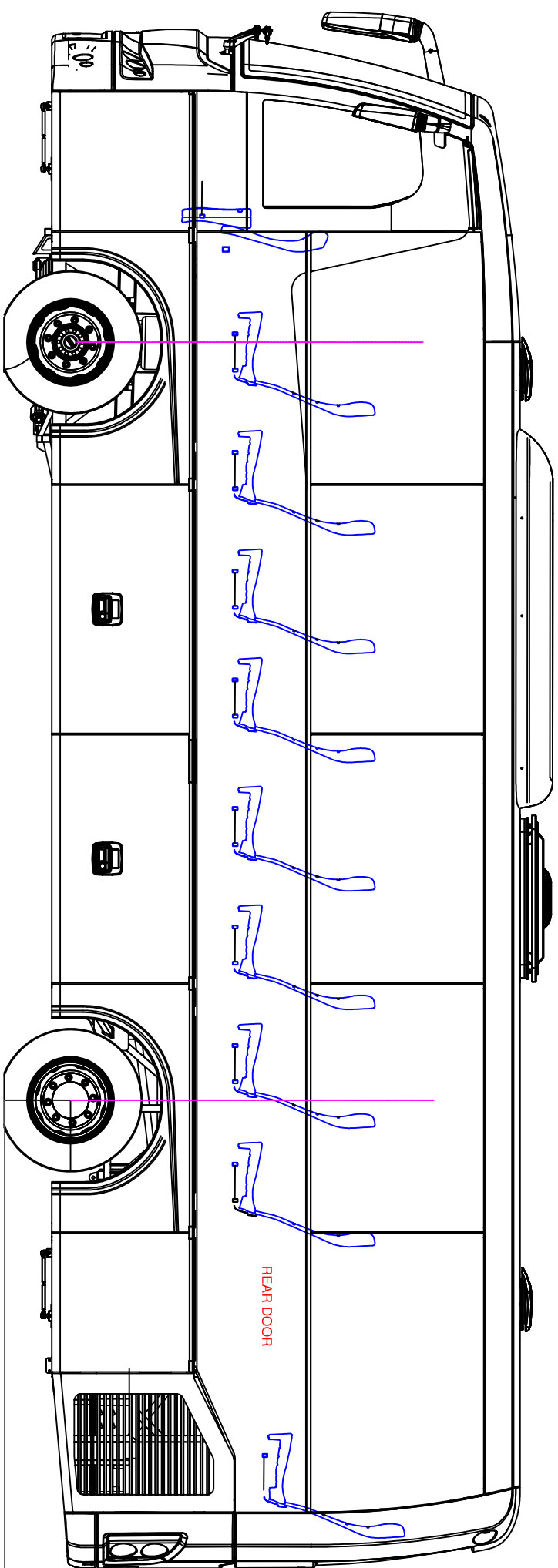
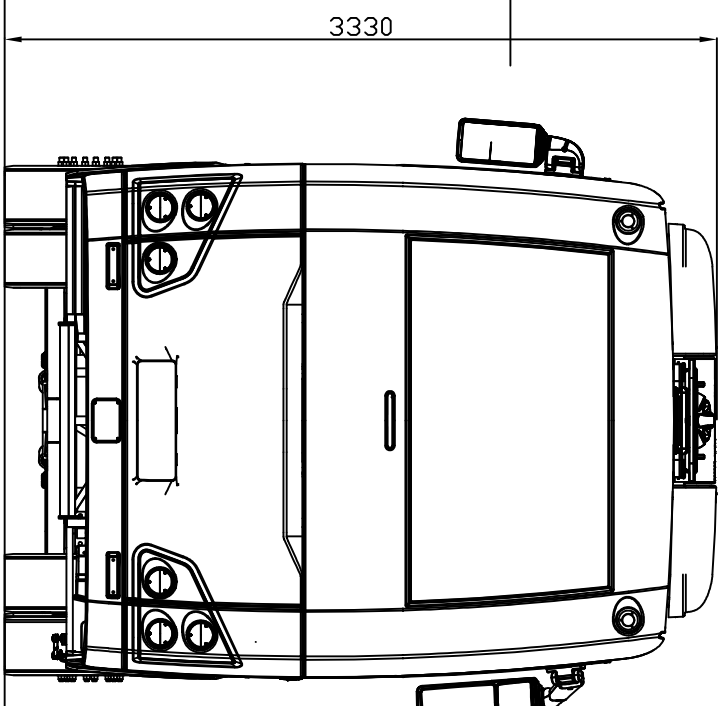
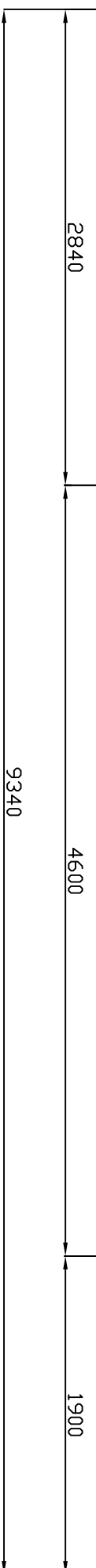
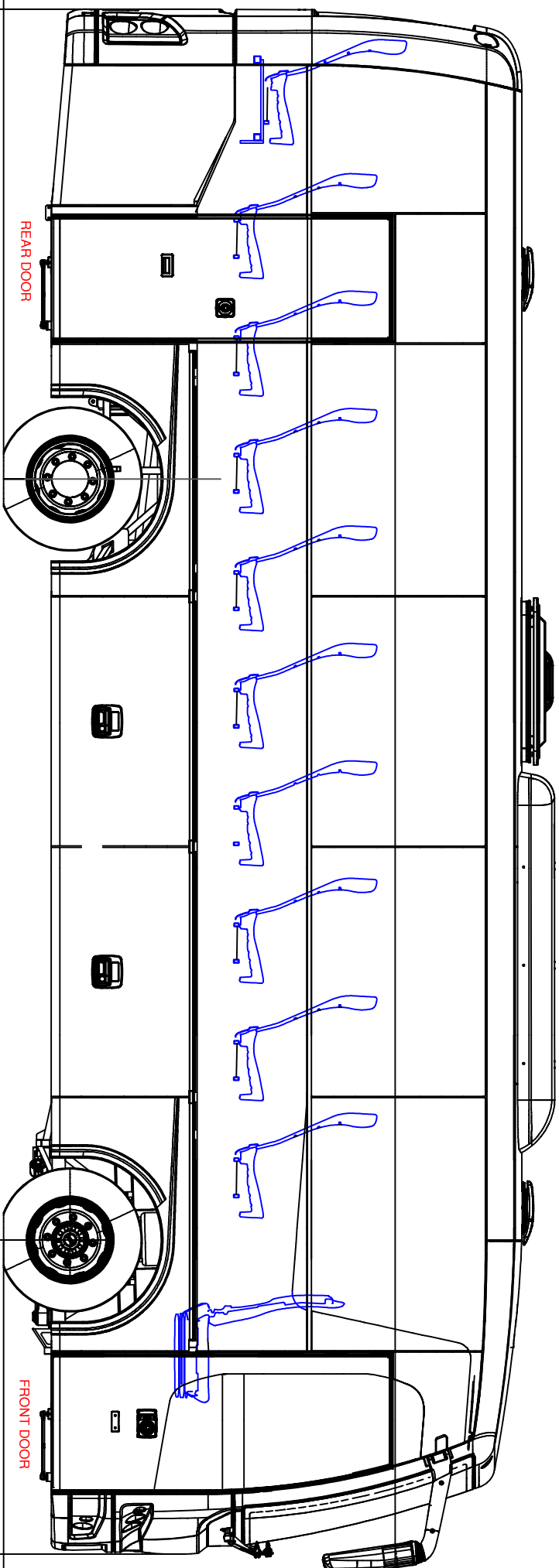


TEMISA MD C9



2400



3330

ANNEX-